



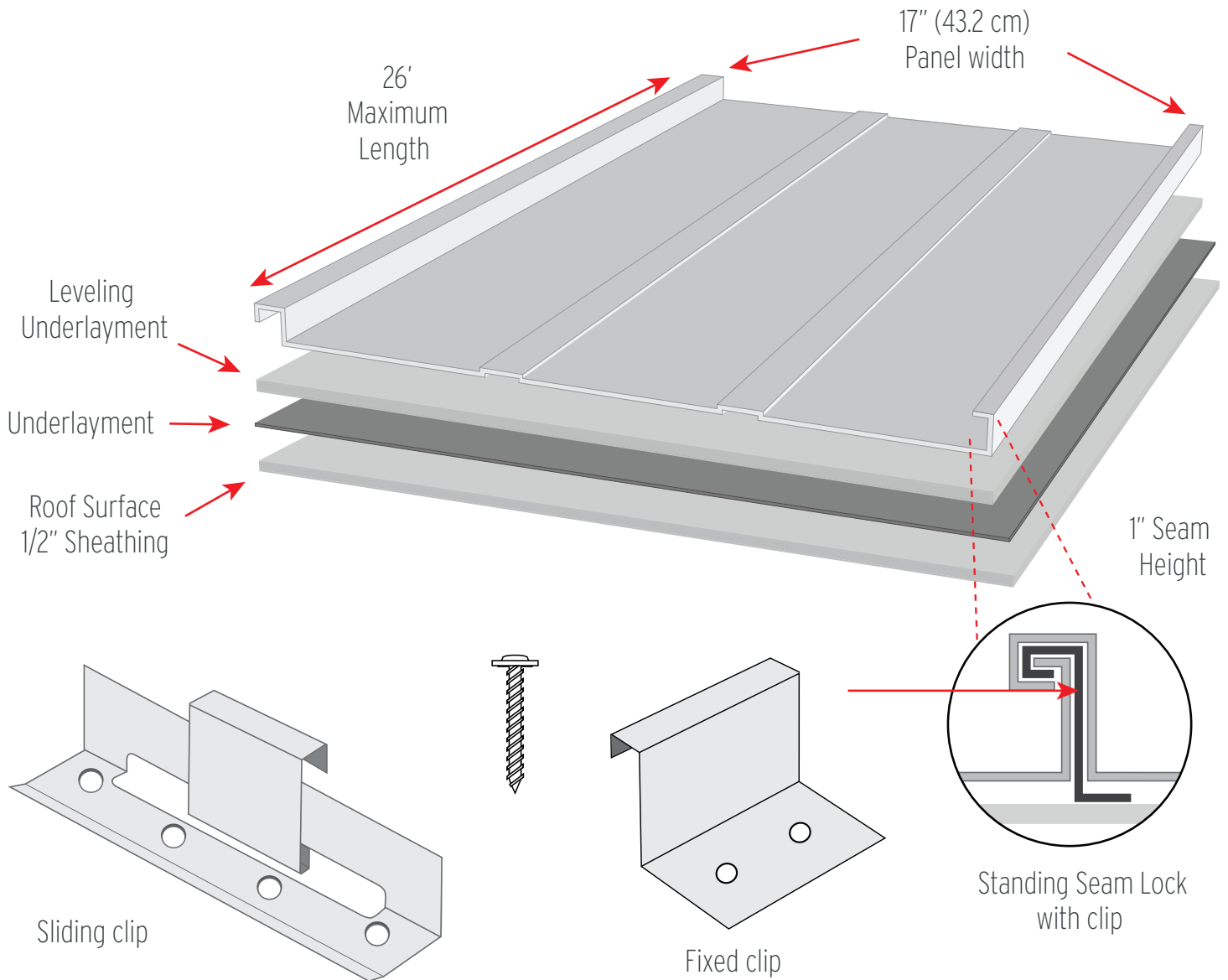
## Interlock® Standing Seam Specification Manual

# Interlock® Metal Roofing

Our standing seam roofing can be installed on new construction or applied over existing roofs. All trims and caps are designed to ensure an integrated weather-resistant roof.

Runs are vertical, manufactured to length in continuous form to a maximum length of 26'.

It is the responsibility of architects, builders and roof installers to ensure that all construction bylaws and building codes are adhered to.



Gauge of material 0.028" (.71 mm)  
Aluminum base coated with:



# Interlock® Standing Seam

Like all of our products, our Standing Seam is coated with the Alunar® Coating System to provide an extremely durable and attractive surface.

The panels are roll formed with a ribbed contour to give added strength. Panels are clipped and fastened in place with the next panel overlapped and securely lock-formed in place.

Roof Slope Minimum 3:12 when installed with an ice & water underlayment or 4:12 minimum with standard underlayment.

## Interlock Standing Seam has many advantages when compared to other roofing products.

- *Lifetime Limited Warranty*
- *Energy efficient*
- *Curbside appeal*
- *Weather and wind resistant*
- *Low maintenance*
- *Available in many designer colors*
- *Lightweight*
- *Superior strength / Durability*
- *Alunar® Coating System*
- *Non-combustible "Class A" Fire Rated available*
- *No cracking or splitting*
- *Full interlocking connection system*
- *Hail Resistance; Meets UL Standard 2218 Class 4, Impact Standard for Impact Resistance*

### Weight

Our Standing Seam weighs considerably less than most other types of roofing systems. No special preparation is needed, resulting in less structural cost.

### Application

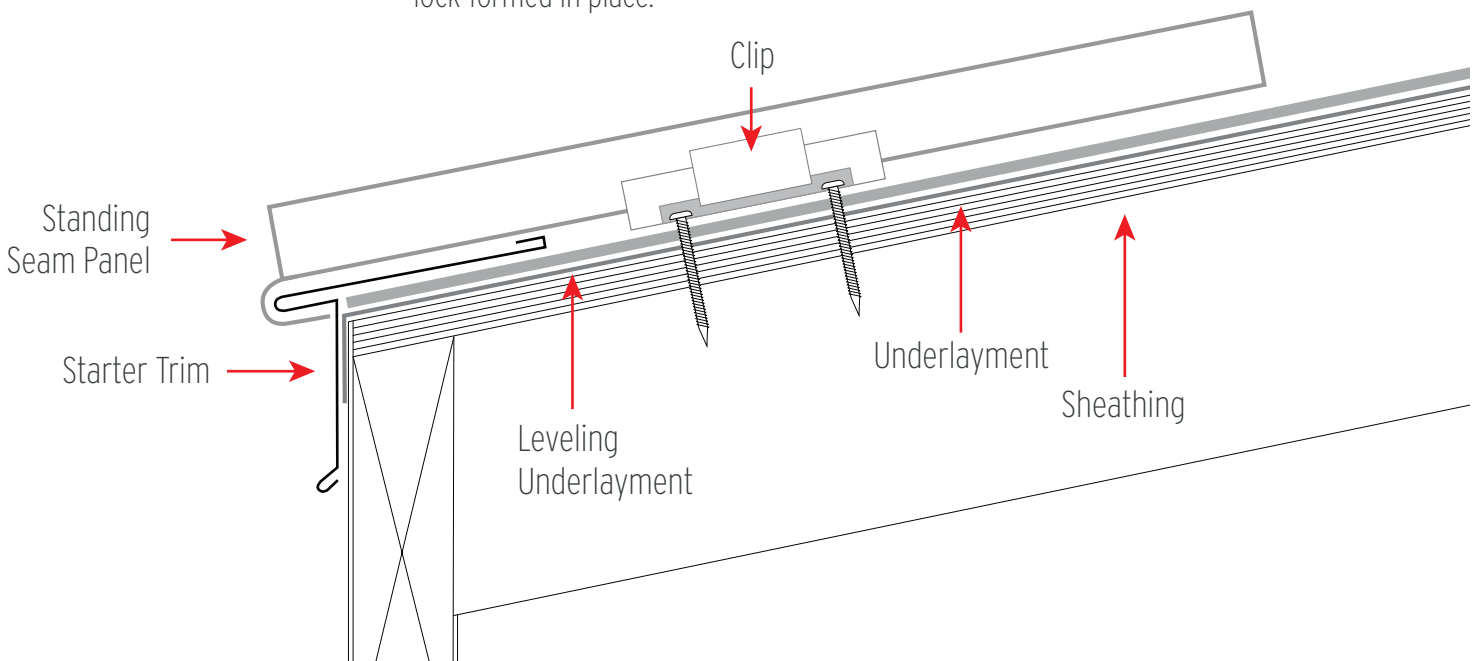
Leveling underlayment may be used to reduce surface imperfections. Panels are clipped and fastened with screws with the next panel being lock-formed in place.

### Sheathing

Sheathing for the roof should be 1/2" minimum or tightly fitting boards.

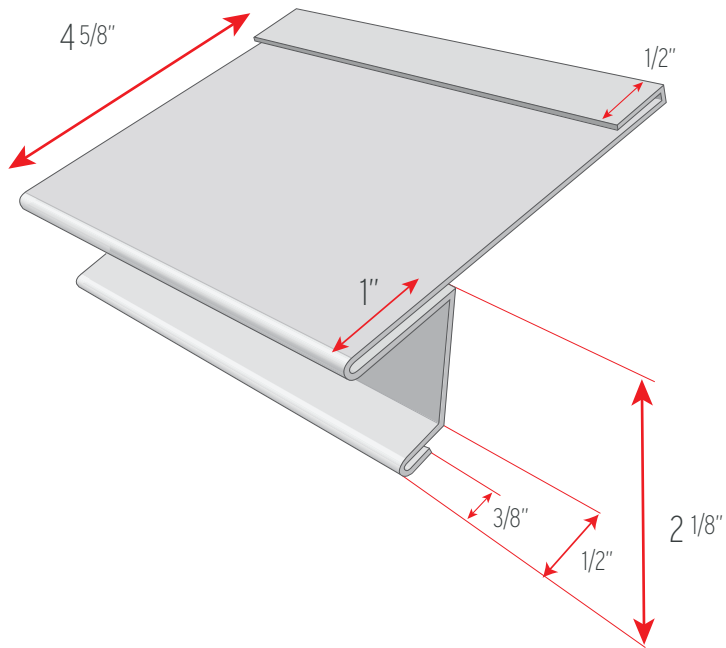
### Underlayment

The entire roof area should be covered (prior to panel application) with synthetic roofing underlayment.



## Starter Strip

The manufacturing characteristics of the Starter Strip provides a water barrier which prevents water back-up.

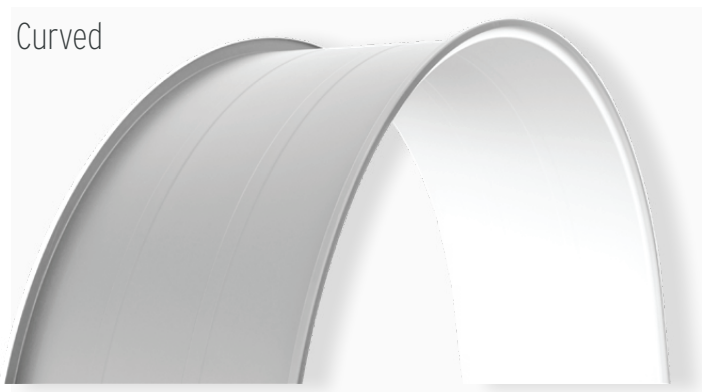


Starter Strip Profile



## Specialty Panels

New options available for Standing Seam are Curved and Tapered panels for custom roofing features.



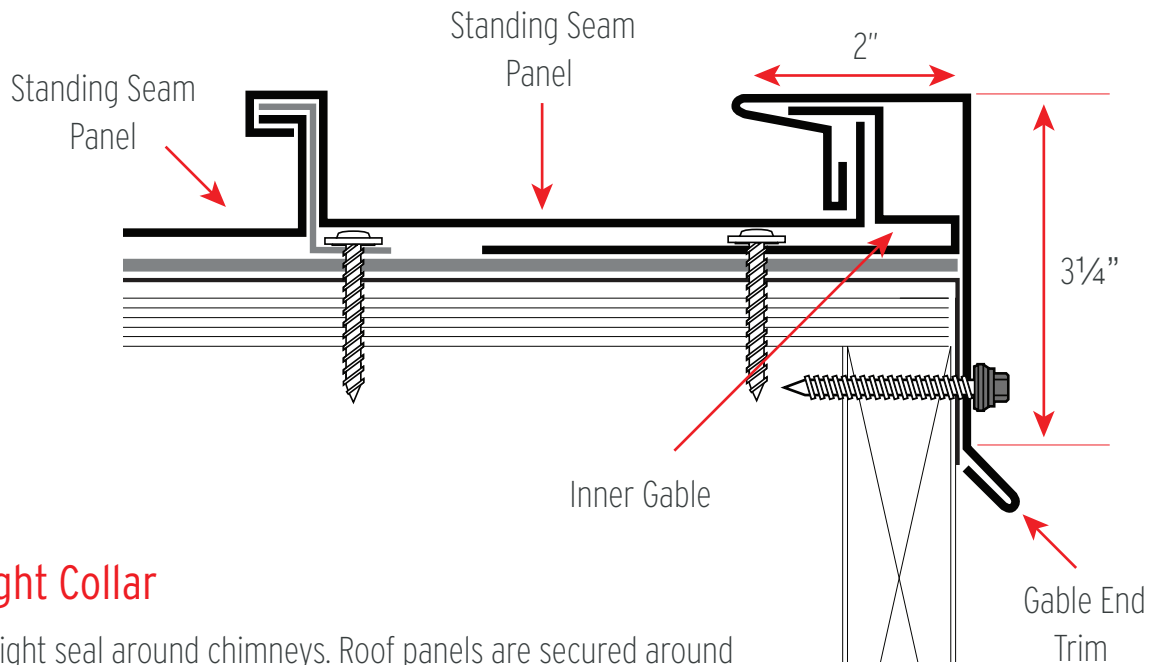
Curved



Tapered

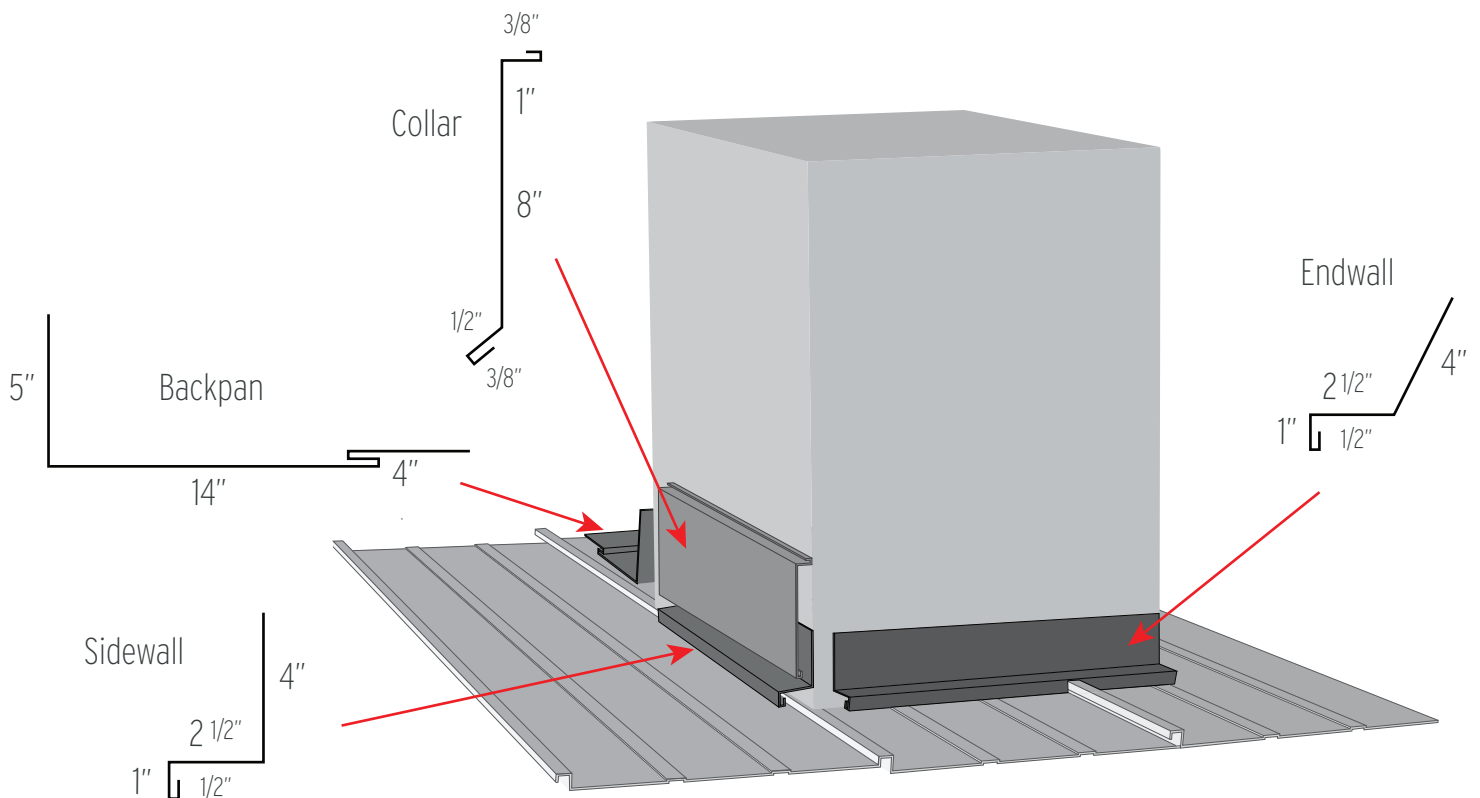
## Gable End

An inner gable is installed and a gable end trim is then applied over top to form a protective cap.



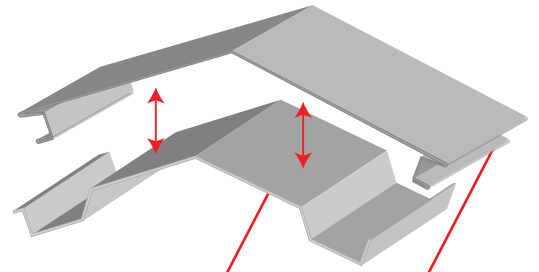
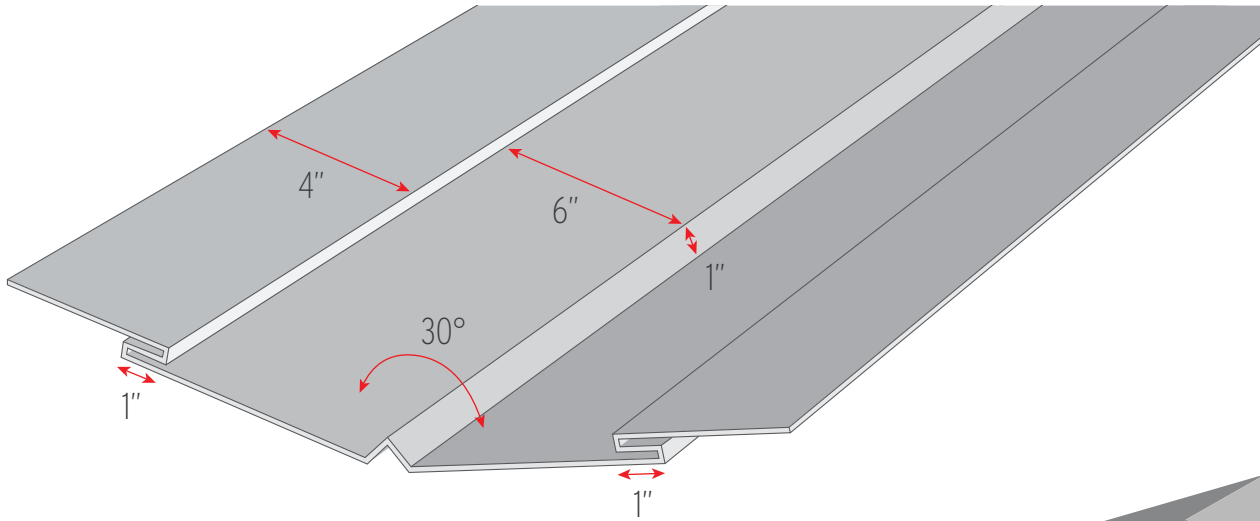
## Chimney/ Skylight Collar

Provides a weather-tight seal around chimneys. Roof panels are secured around the chimney and a collar is cut into the brick and mortar, covering the roof panels.

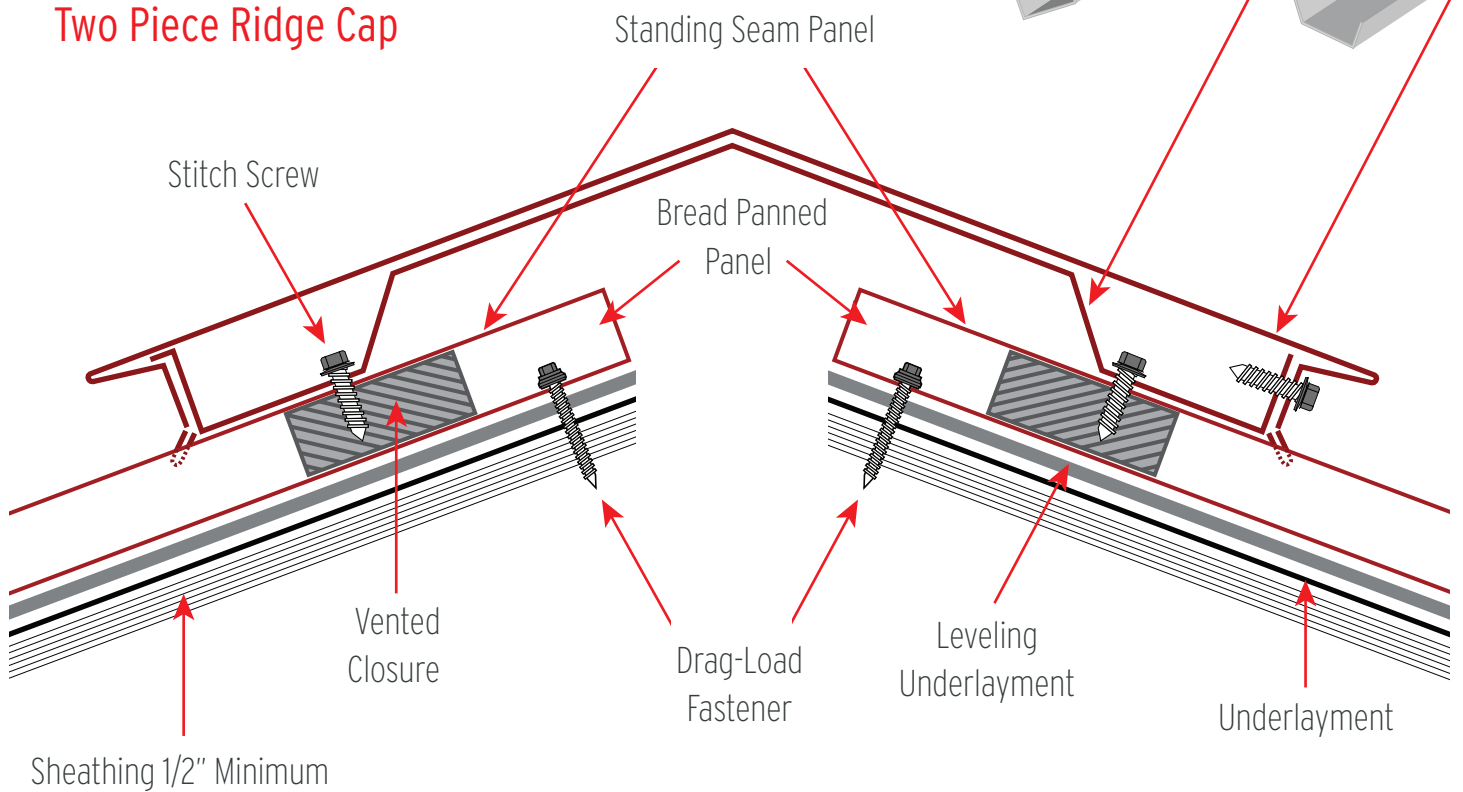


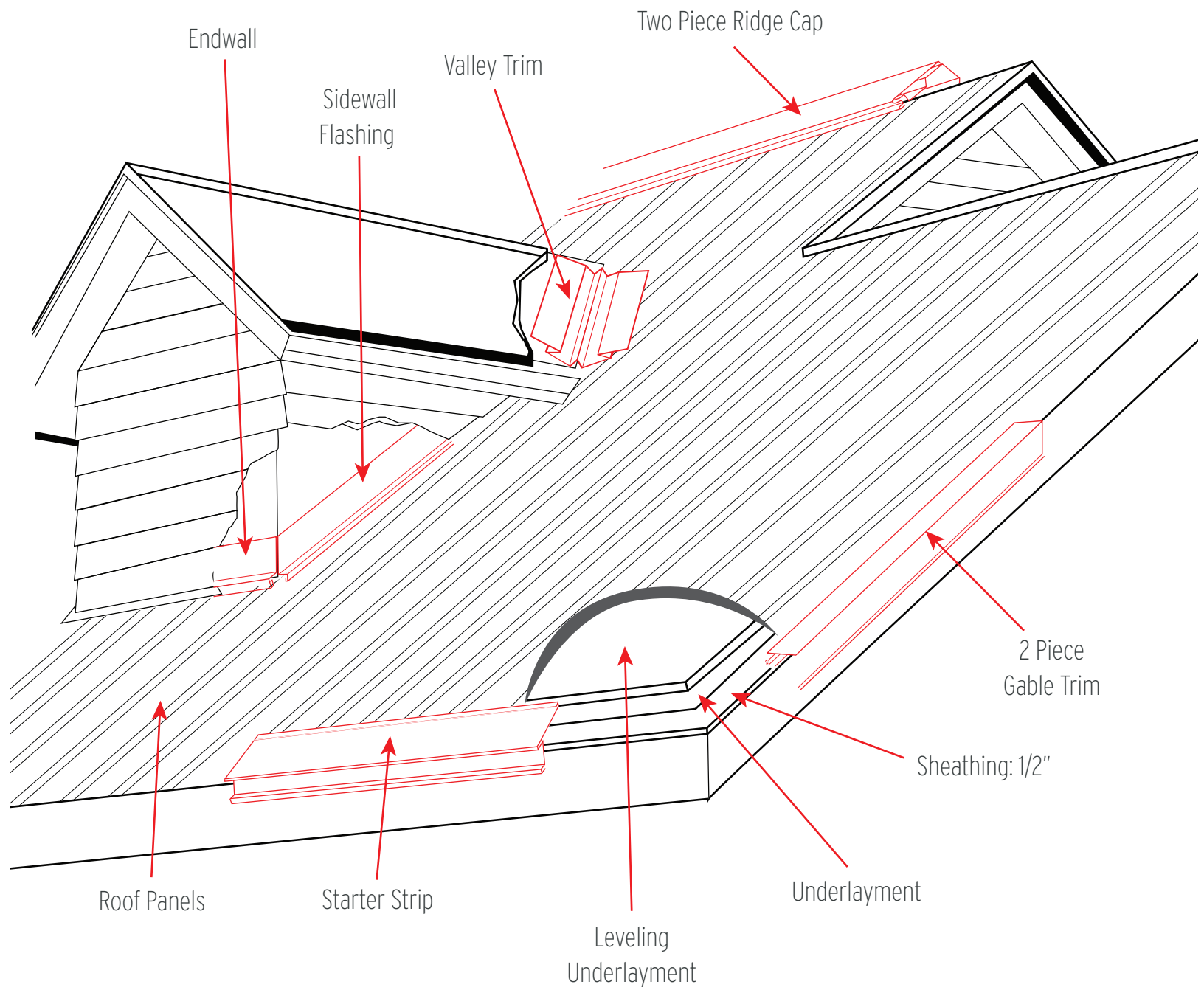
## Valley Trim

Provides smooth, obstruction-free path for precipitation. Roof panels are trimmed and folded inside the locking joint to form a solid weather-proof unit. This specially designed trim is manufactured in 10' lengths. Wider valleys may be used in areas with high levels of snow.



## Two Piece Ridge Cap





# Color Guide

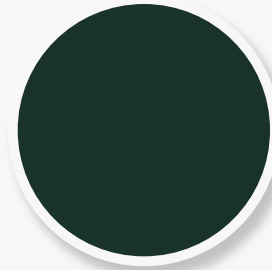
Interlock Roofing Ltd. offers a highly durable aluminum roofing product available in a range of different colors, opening up an extensive palette for homeowners and designers. Interlock® roofs are exclusively protected for a lifetime by the Alunar® Coating System.



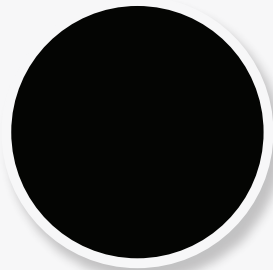
Solid Copper



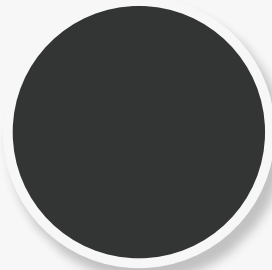
Copper Penny



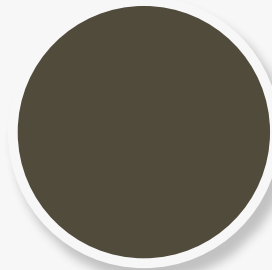
Hunter Green



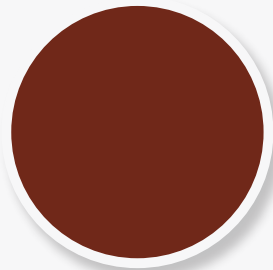
Black



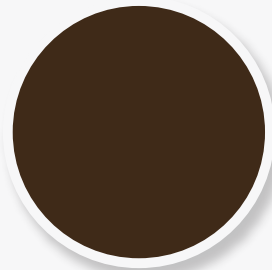
Deep Charcoal



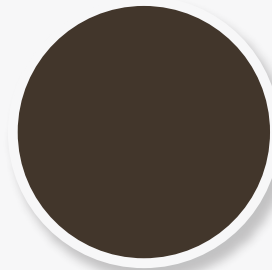
Musket Grey



Tile Red



Colonial Brown



Tudor Brown



Color and availability may change without notice. Product design and installation technique may vary from represented shown on manual. Installation methods may vary by structure, region, climate, and local building codes. Certain variables and factors specific to your home may inhibit the product's ability to shed snow. Roofing products and components may change without notice. Please see our website for more information.