



## Interlock® Slate/Shingle Specification Manual

# Interlock® Metal Roofing

Interlock Slate / Cedar is a four-way interlocking aluminum roofing system.

Each shingle is coated with the Alunar® Coating System, which provides a highly durable and attractive surface. A complete range of color-matching trims is provided.

An Interlock Roof provides many advantages over conventional roofing:

## Durability

Unique design provides incredible strength and protects against severe weather.

## Curb Appeal

Designer colors in a low gloss finish are available.

## Environmentally Friendly

Sustainable, recyclable, and helps stop roofing material from going to landfills.

## Low Maintenance

## Saves Energy & Money

Interlock roofs are "Cool Roof" rated and may lower energy costs\*.

\* As per Cool Roof Rating Council (CRRC) and Oak Ridge National Laboratories (ORNL).  
Contact your Interlock® representative for details.

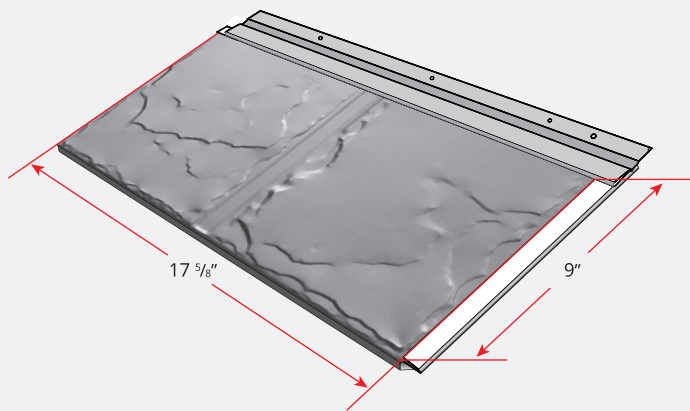
## Lightweight

Weighs much less than traditional roofing materials.

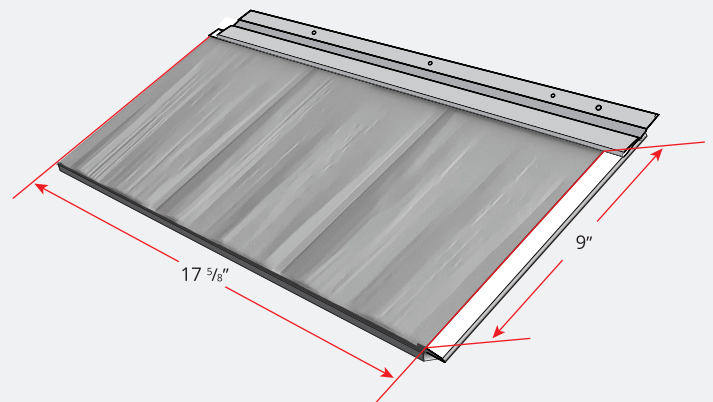
## Lifetime Limited Warranty

One-time transferable.

Interlock Slate



Interlock Cedar Shingle

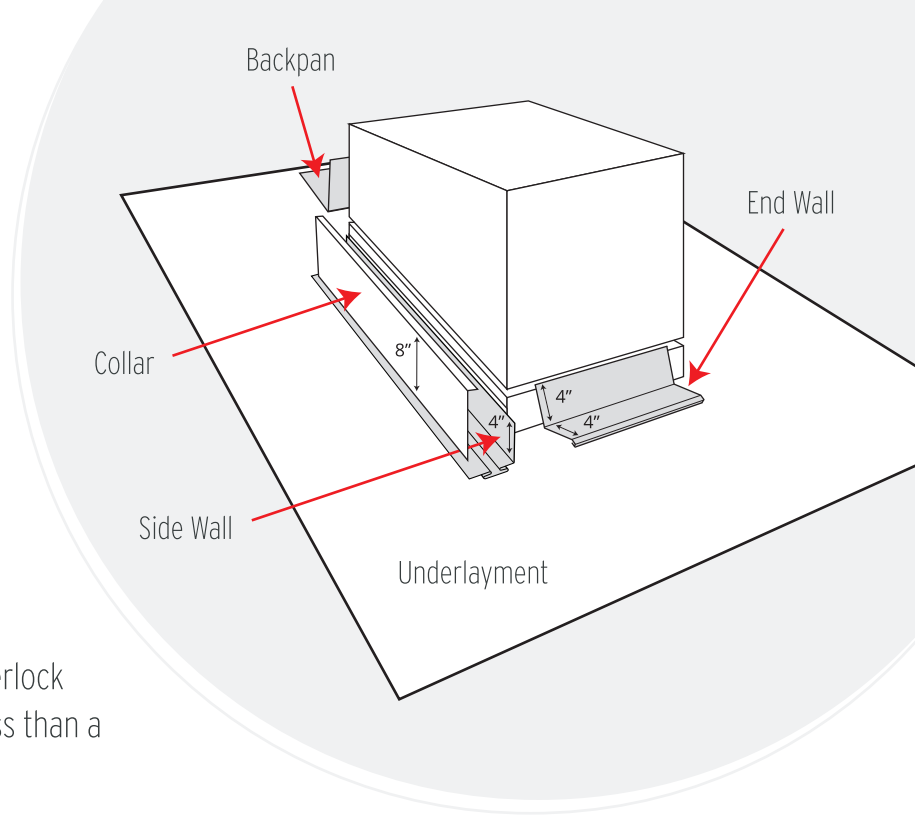


Gauge of material .019" (.48mm)  
Aluminum base coated with:



## Chimney Collar

Is inserted into grooves, cut into the mortar and brick, used in accordance with end wall and side wall trims to create a weather-tight seal around the chimney.



## Roof Slope

Minimum 3:12 with Ice & Water, 5:12 min with standard underlay.

## Trusses

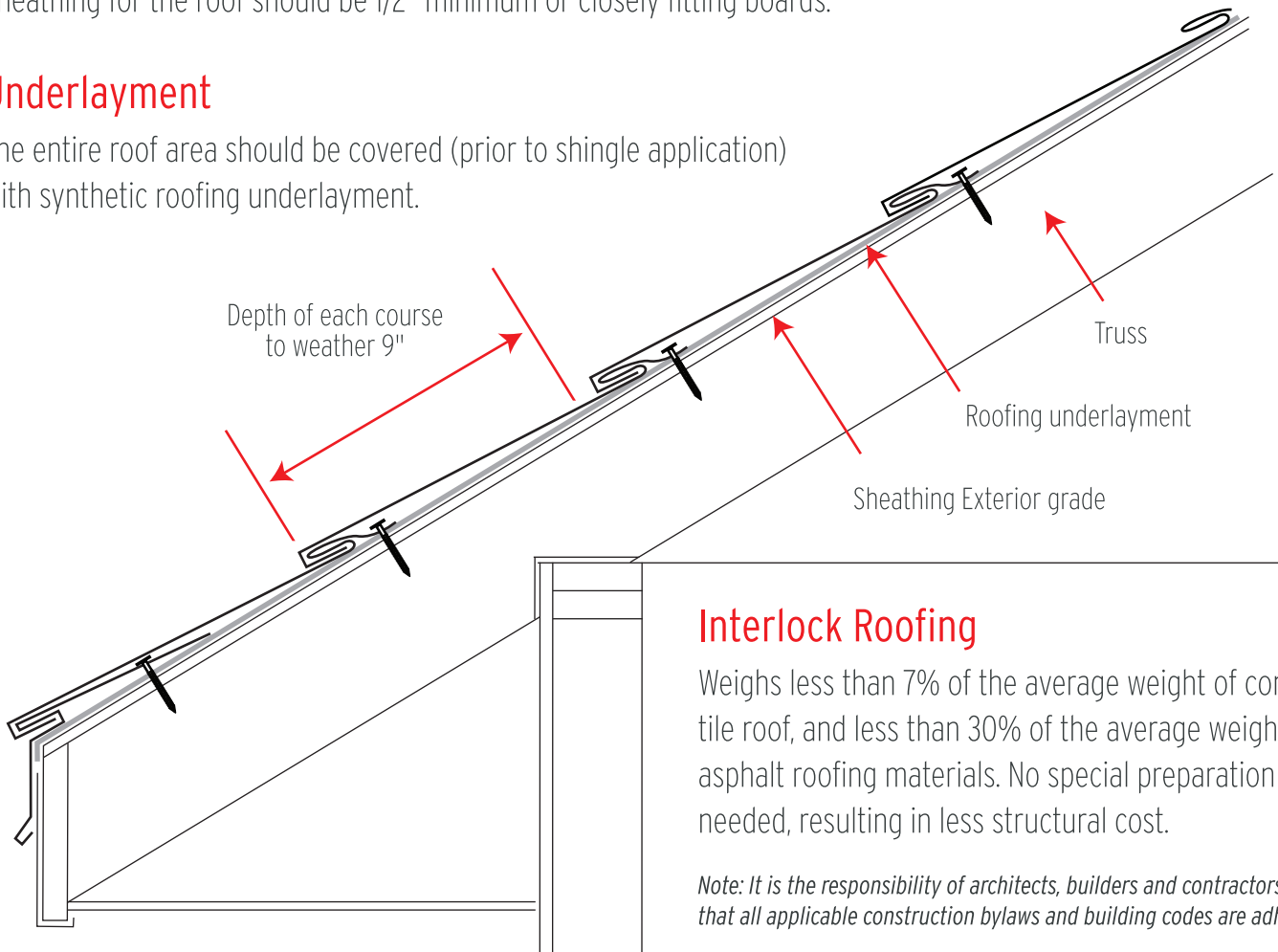
Cost reductions can be effected in specifying Interlock roof slate, as the weight factor is considerably less than a conventional roof.

## Sheathing

Sheathing for the roof should be 1/2" minimum or closely fitting boards.

## Underlayment

The entire roof area should be covered (prior to shingle application) with synthetic roofing underlayment.



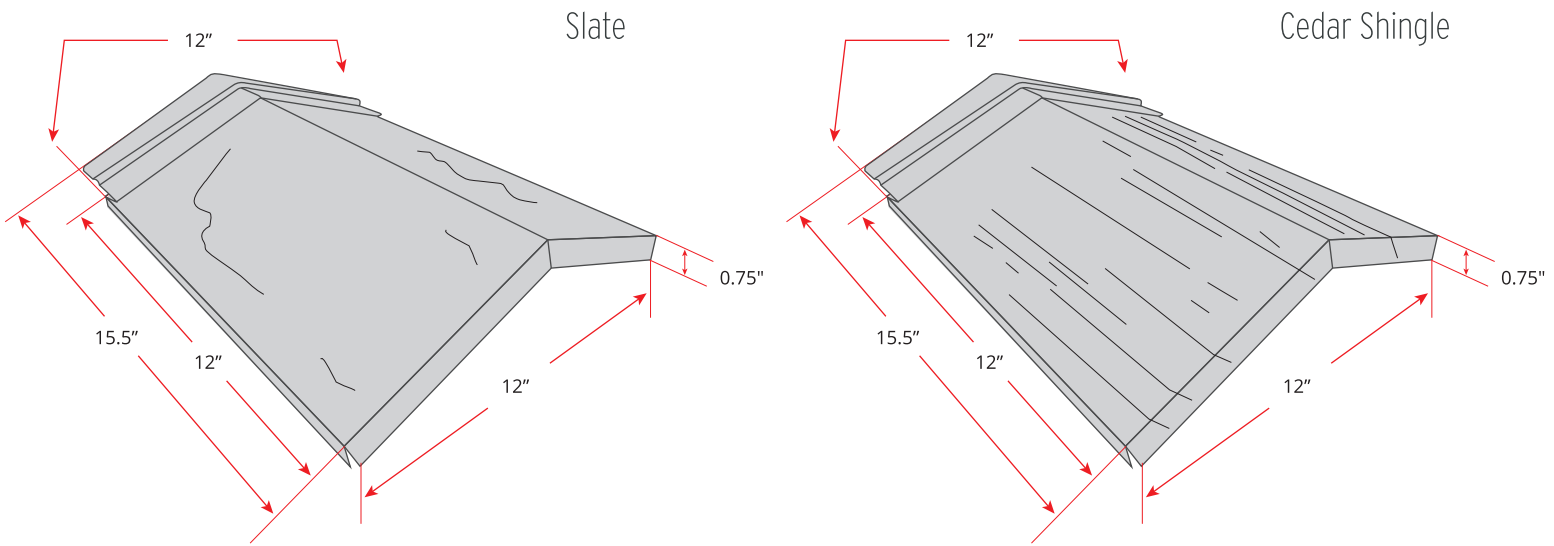
## Interlock Roofing

Weighs less than 7% of the average weight of concrete tile roof, and less than 30% of the average weight of asphalt roofing materials. No special preparation is needed, resulting in less structural cost.

*Note: It is the responsibility of architects, builders and contractors to ensure that all applicable construction bylaws and building codes are adhered to.*

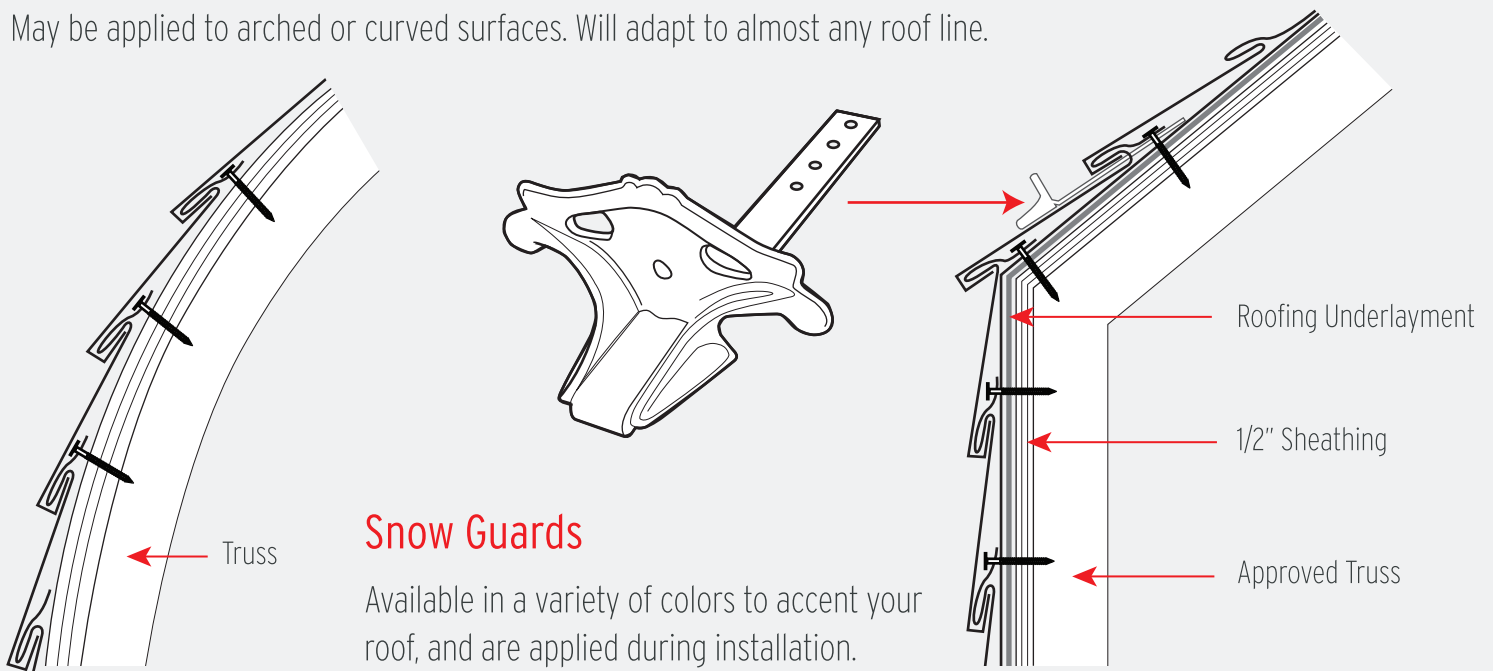
## Ridge Cap

Flexible, fits any ridge or hip roof angle. Secured with aluminum or stainless fasteners.



## Design Flexibility

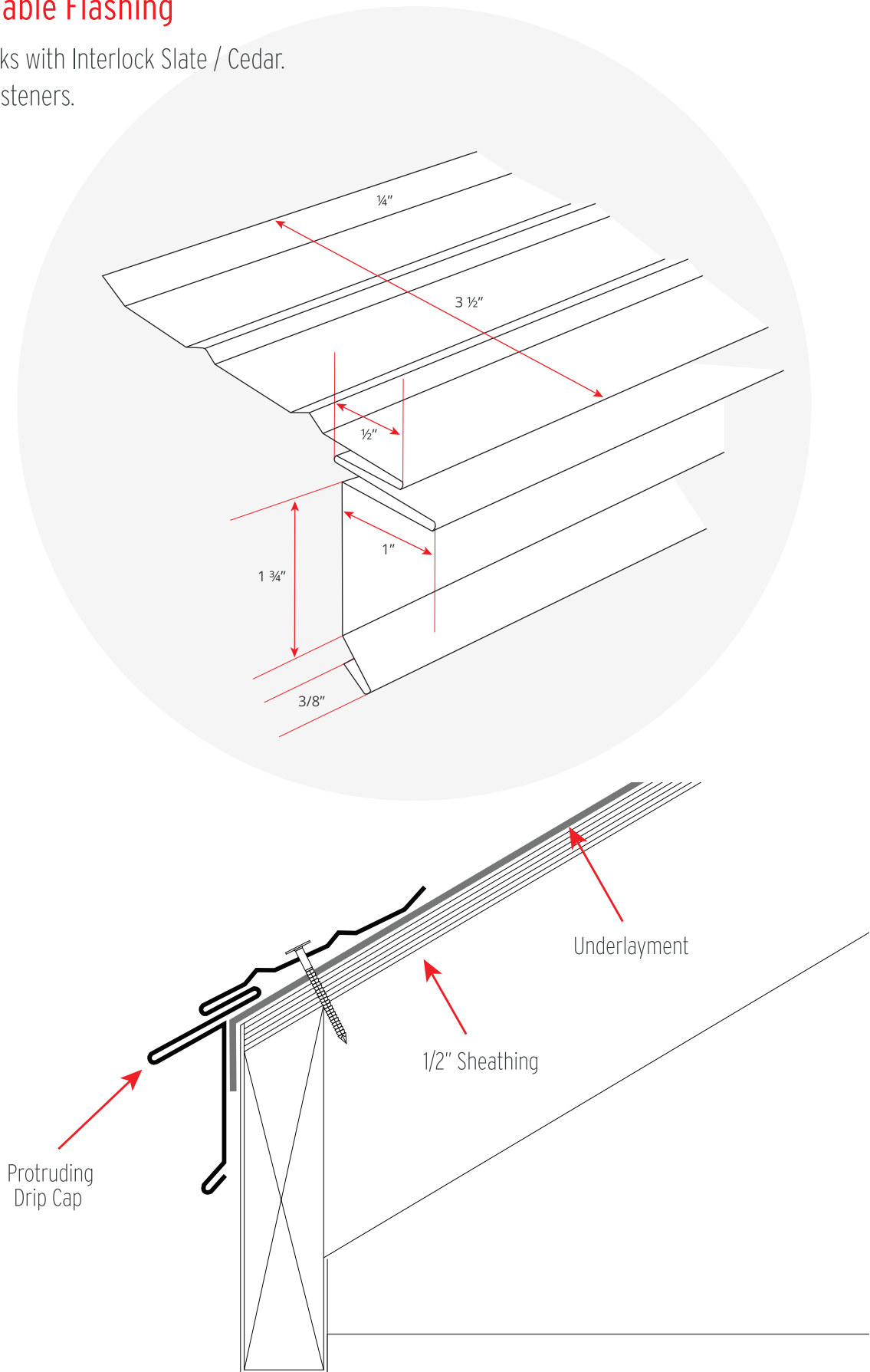
May be applied to arched or curved surfaces. Will adapt to almost any roof line.



Depending upon the slope of your roof, the direction it faces, geographic and weather conditions, you may wish to consider using snow guards. Snow guards are designed to help prevent accumulative snowfall from falling onto areas where such an occurrence is undesirable. The snow guards are manufactured from cast aluminum and are designed to be sturdy and weather resistant.

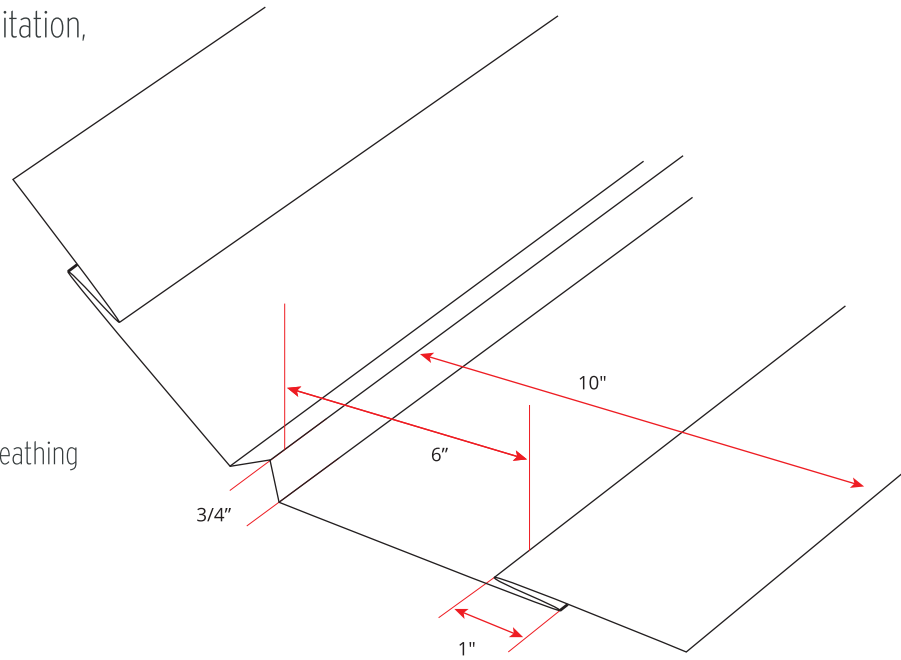
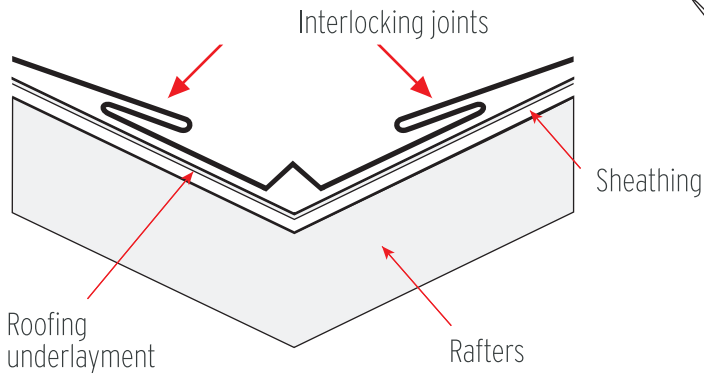
## Starter / Gable Flashing

Trim seam locks with Interlock Slate / Cedar.  
No exposed fasteners.



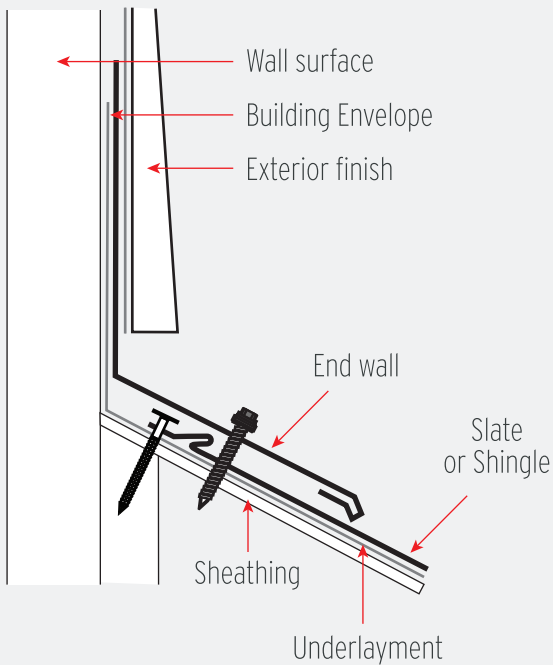
## Valley Trim

Provides smooth, obstruction-free path for precipitation, no projections to catch debris or snow. Panels lock into valley lock on each side.

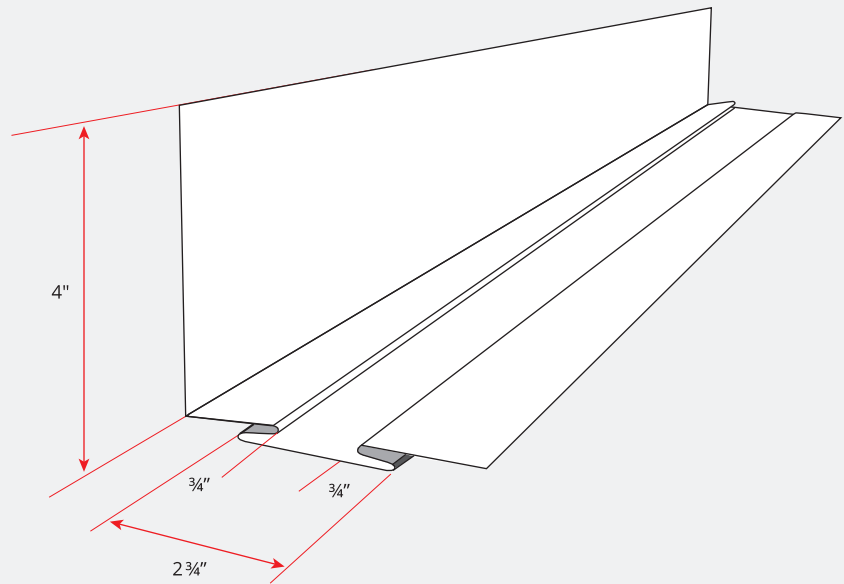


## End Wall

Used around chimneys, skylights and walls.

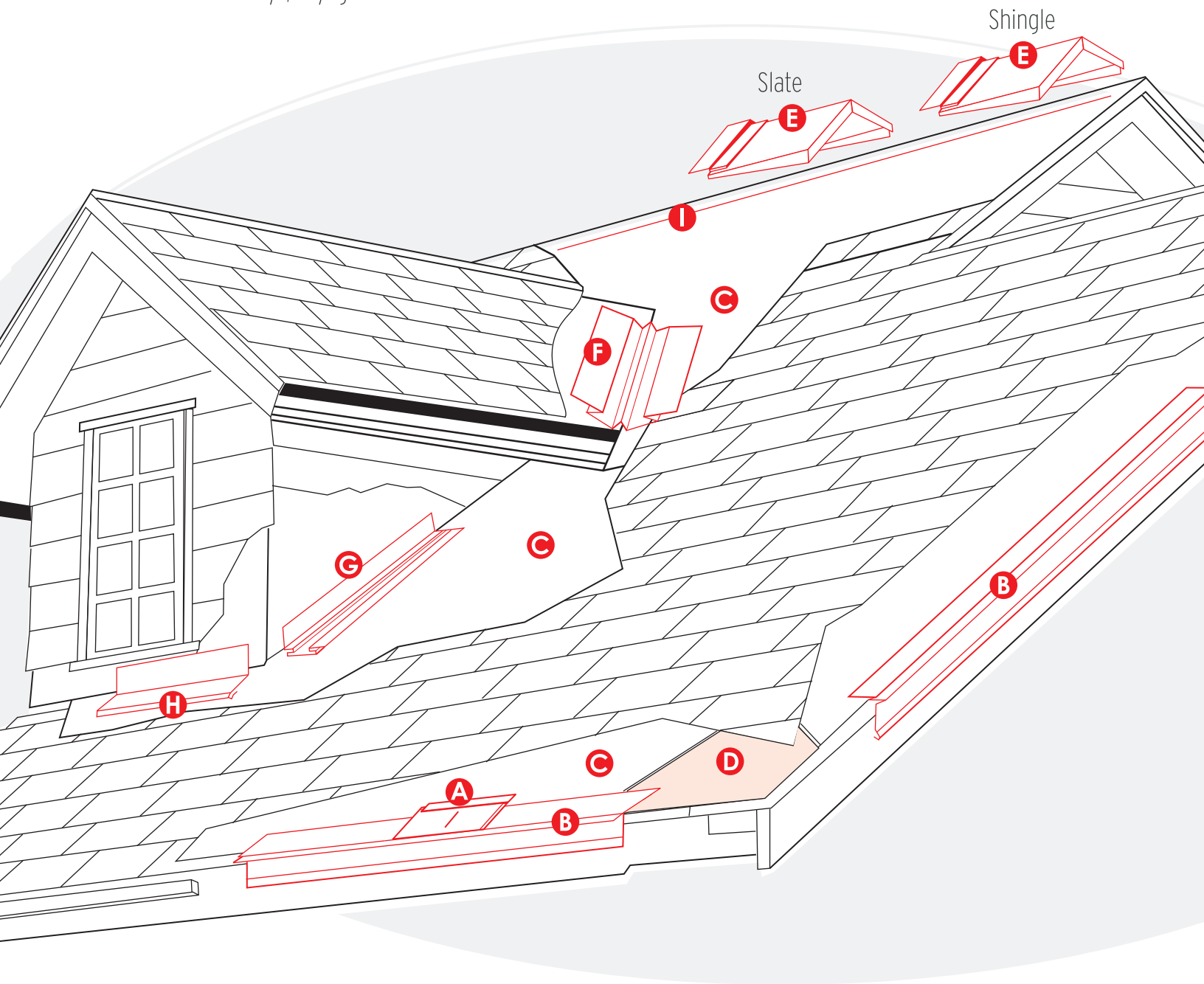


## Side Wall



## Ridge Vents

Used around chimneys, skylights and walls.



- A Interlock Slate / Shingle
- B Starter Gable
- C Underlayment
- D Sheathing
- E Ridge Cap
- F Valley Trim
- G Side Wall
- H End Wall
- I Ridge Vent

## Testing Reports

ICC Evaluation Report 1790

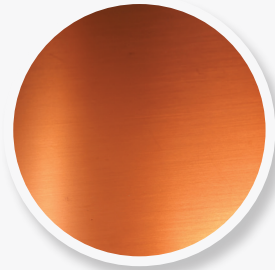
CCMC Evaluation Report 10475-R

Florida Report FL 7263

Hail Impact UL2218 Class IV

# Color Guide

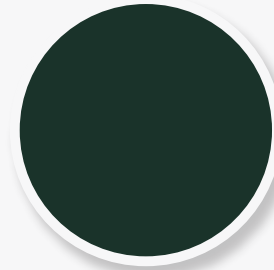
Interlock Roofing Ltd. offers a highly durable aluminum roofing product available in a range of different colors, opening up an extensive palette for homeowners and designers. Interlock® roofs are exclusively protected for a lifetime by the Alunar® Coating System.



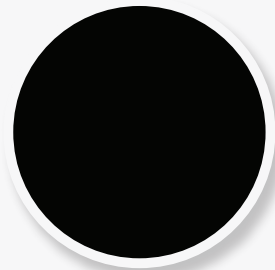
Solid Copper



Copper Penny



Hunter Green



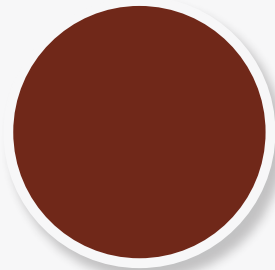
Black



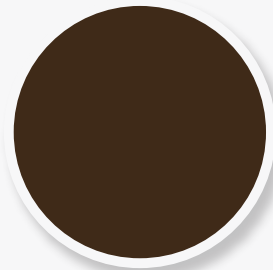
Deep Charcoal



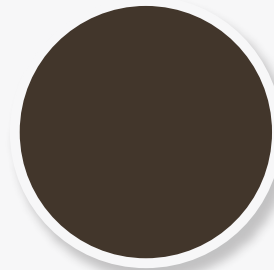
Musket Grey



Tile Red



Colonial Brown



Tudor Brown



Color and availability may change without notice. Product design and installation technique may vary from represented shown on manual. Installation methods may vary by structure, region, climate, and local building codes. Certain variables and factors specific to your home may inhibit the product's ability to shed snow. Roofing products and components may change without notice. Please see our website for more information.