



Interlock® Shake Specification Manual

Interlock® Shake

Interlock Shake is an interlocking aluminum roofing system. Each shake is coated with the Alunar® Coating System which provides an extremely durable and attractive surface. A complete range of color-matching trims are provided. It provides great advantages over conventional roofing, for the following reasons:

Lifetime Limited Warranty

Non-prorated, and one-time transferable.

Cost Effective

When fully installed, the Interlock Roofing System helps keep your home cool in the summer, and helps lower your energy costs.

Low Maintenance

Curb Appeal

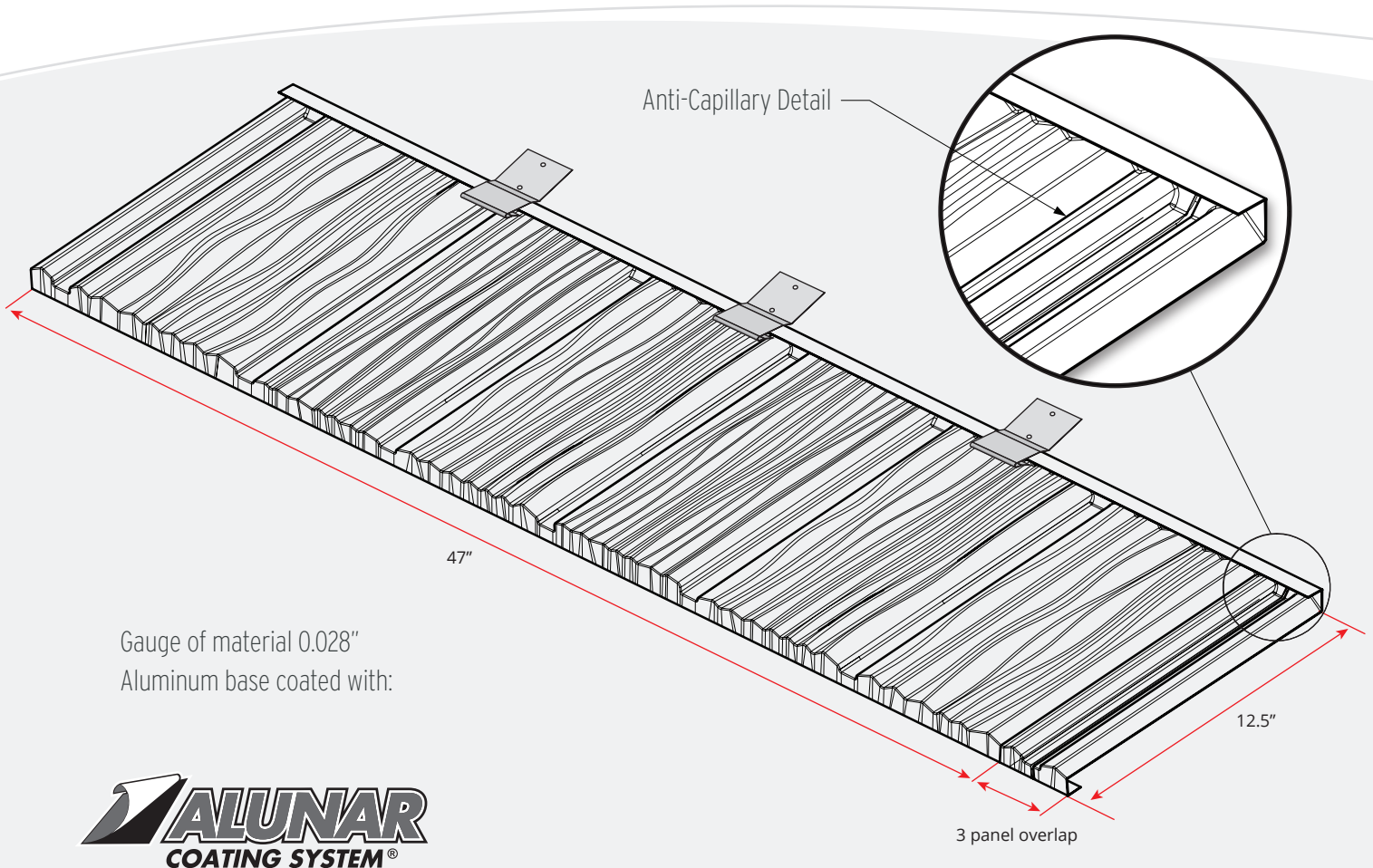
Designer colors in a low gloss finish are available.

Durability

Unique design provides incredible strength and protects against severe weather.

Environmentally Friendly

Sustainable, recyclable and helps stop roofing material going to landfill.



Roof Slope

Minimum 3:12 when installed with an ice & water underlayment or 4:12 minimum with standard underlayment.

Trusses

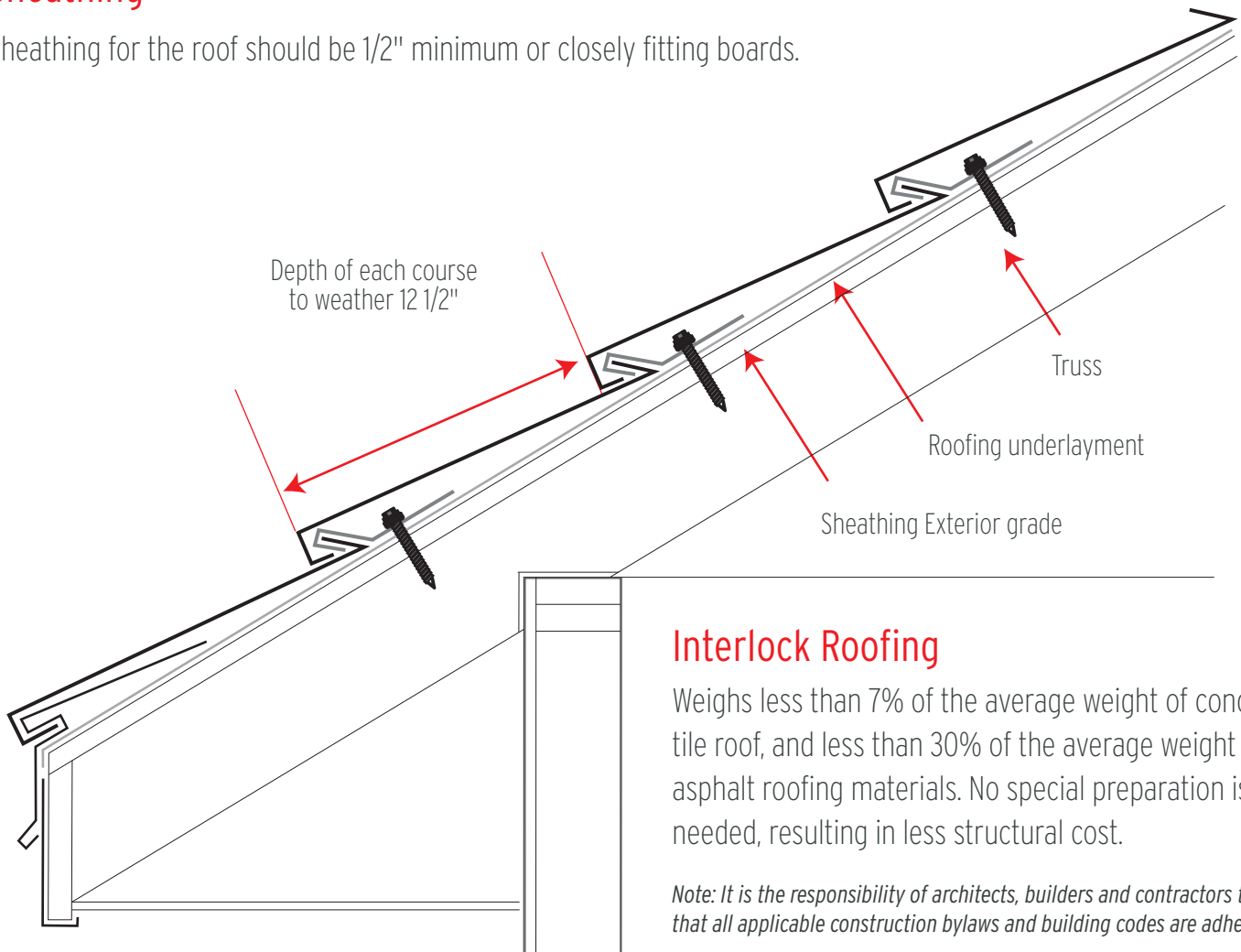
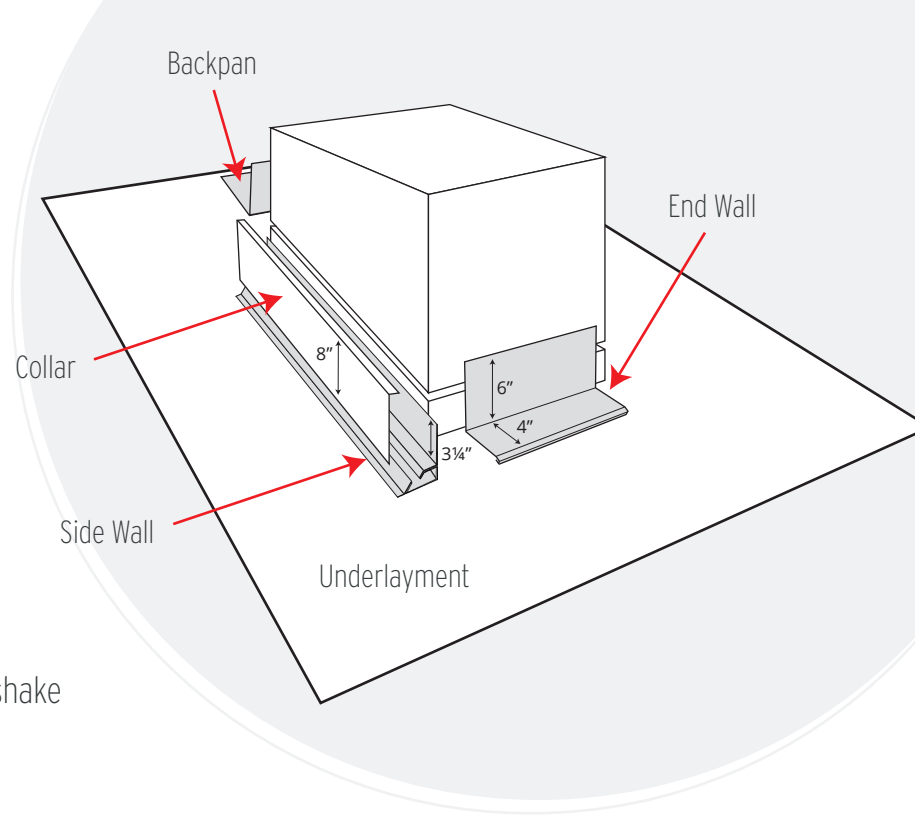
Cost reductions can be effected in specifying Interlock roof shake, as the weight factor is considerably less than a conventional roof.

Underlayment

The entire roof area should be covered (prior to shake application) with synthetic roofing underlayment.

Sheathing

Sheathing for the roof should be 1/2" minimum or closely fitting boards.

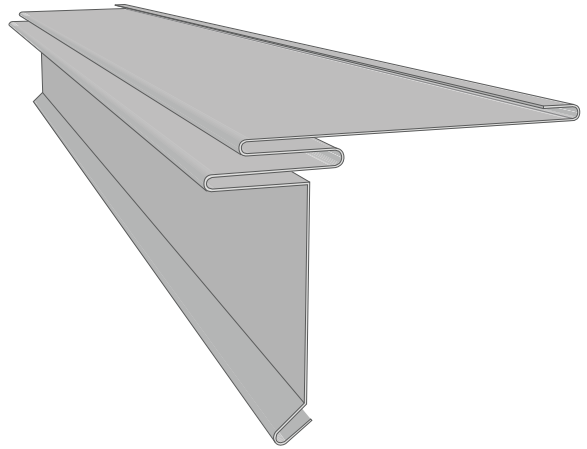
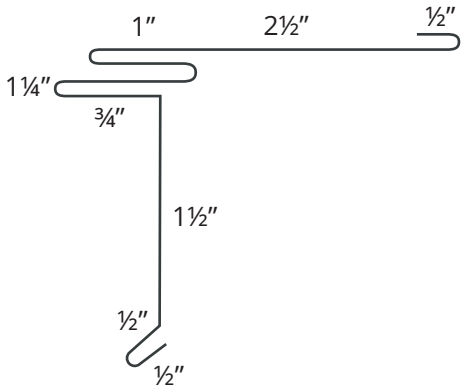


Interlock Roofing

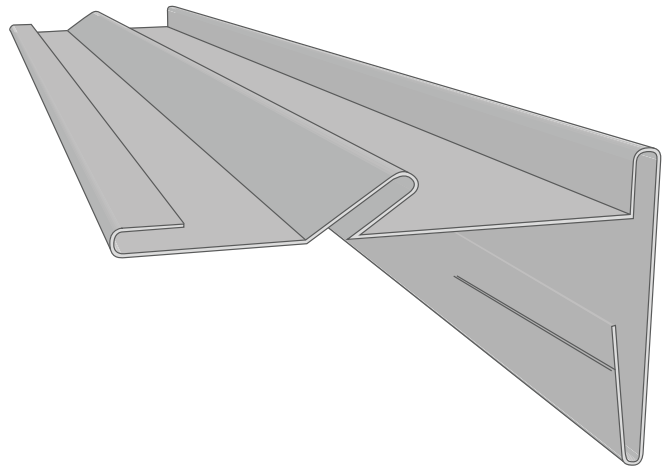
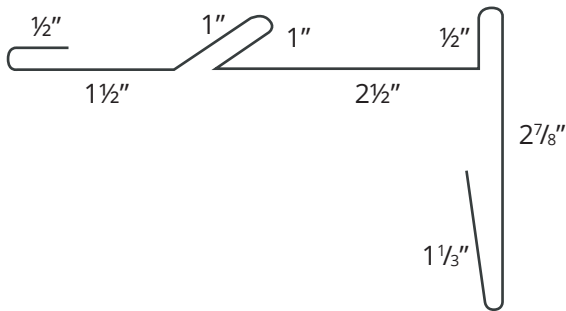
Weighs less than 7% of the average weight of concrete tile roof, and less than 30% of the average weight of asphalt roofing materials. No special preparation is needed, resulting in less structural cost.

Note: It is the responsibility of architects, builders and contractors to ensure that all applicable construction bylaws and building codes are adhered to.

Starter

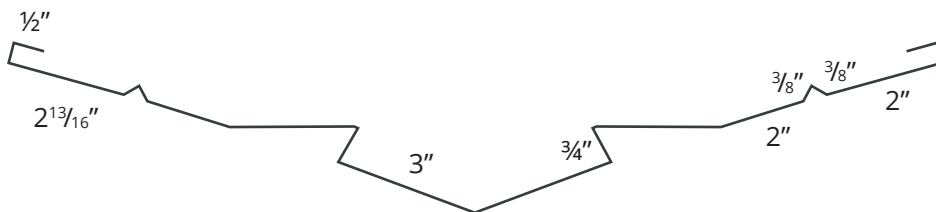
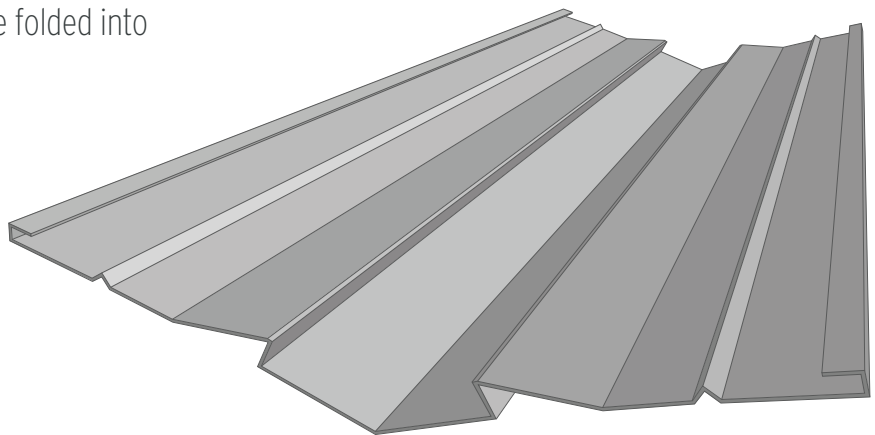


Gable Trim



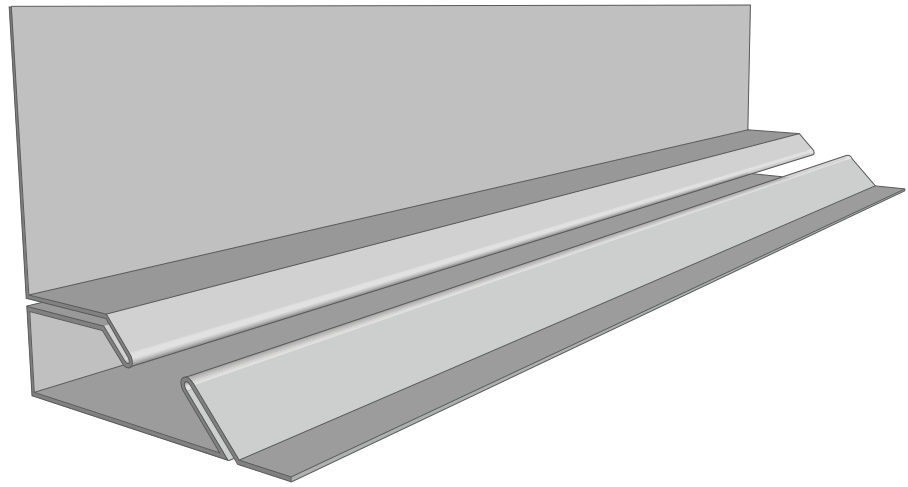
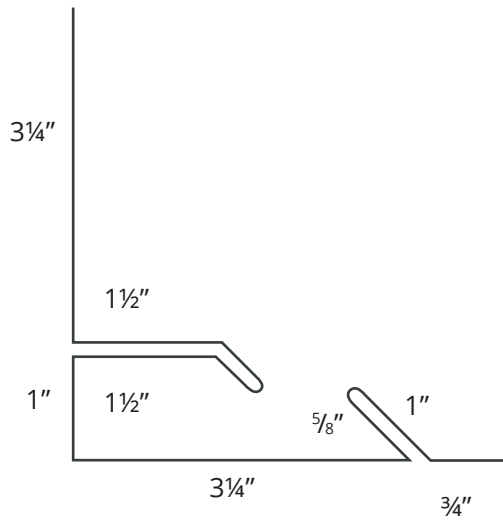
Valley

Provides smooth, obstruction-free path for precipitation, no projections to catch debris or snow. Shake panels are folded into channel providing a weatherproof seal.



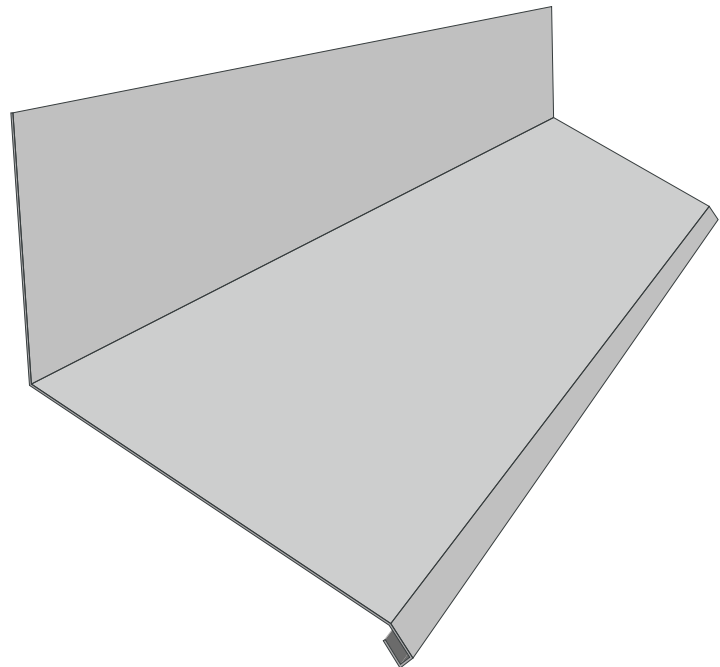
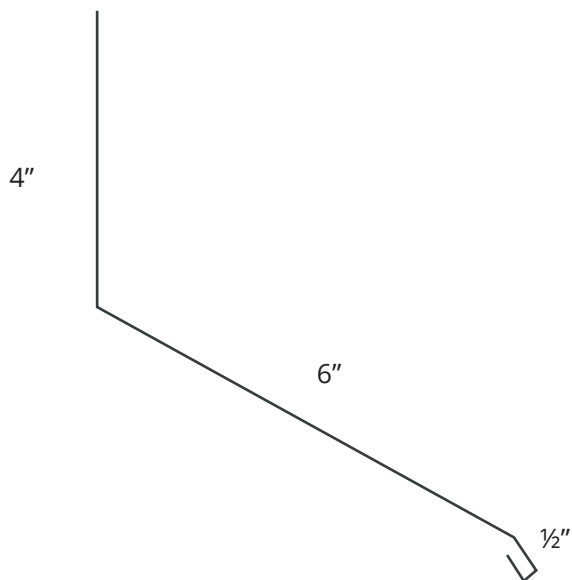
Sidewall

Provides weather-tight seal around chimneys, etc.
Manufactured in 10' lengths.

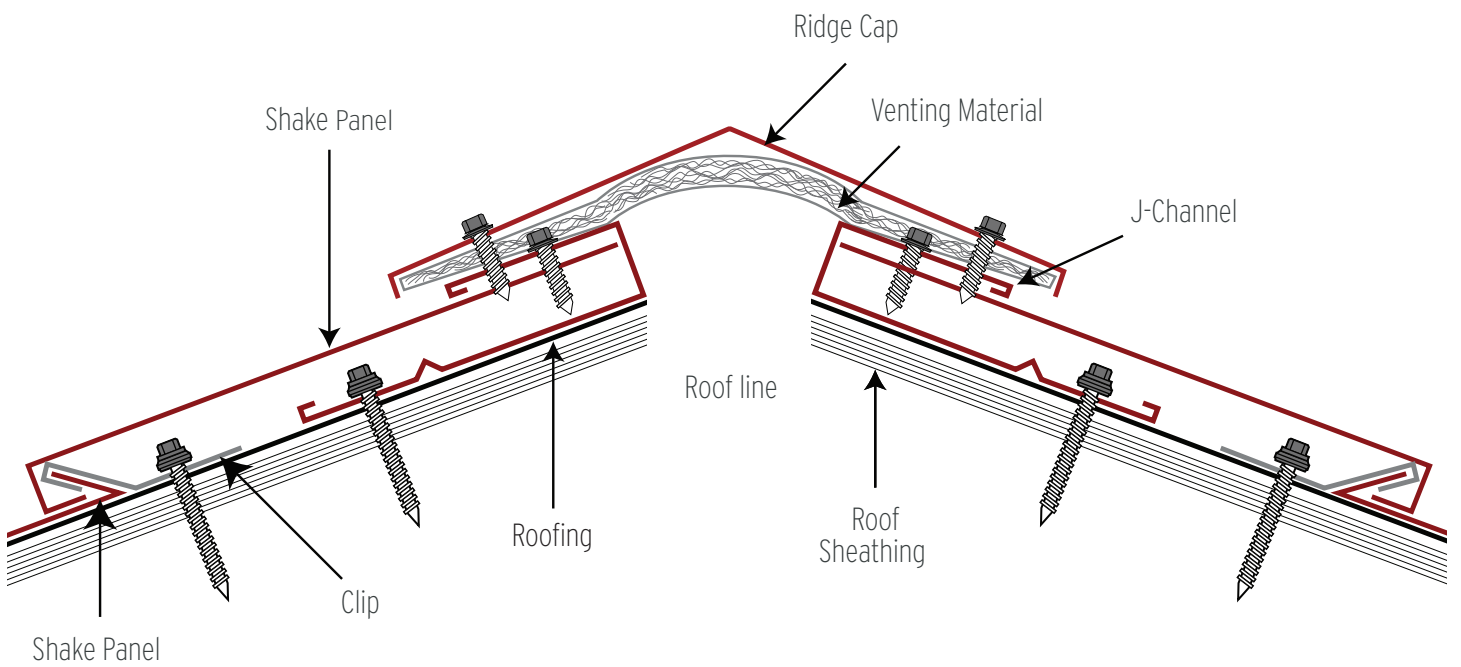
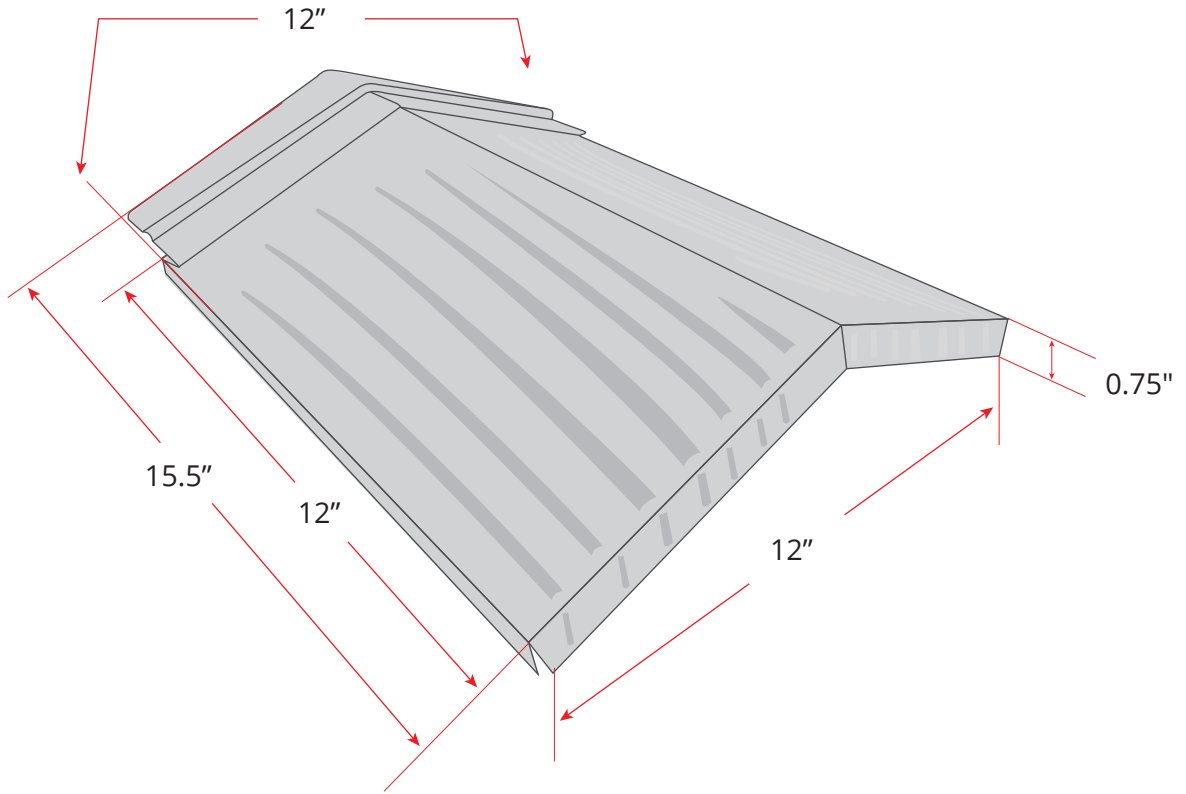


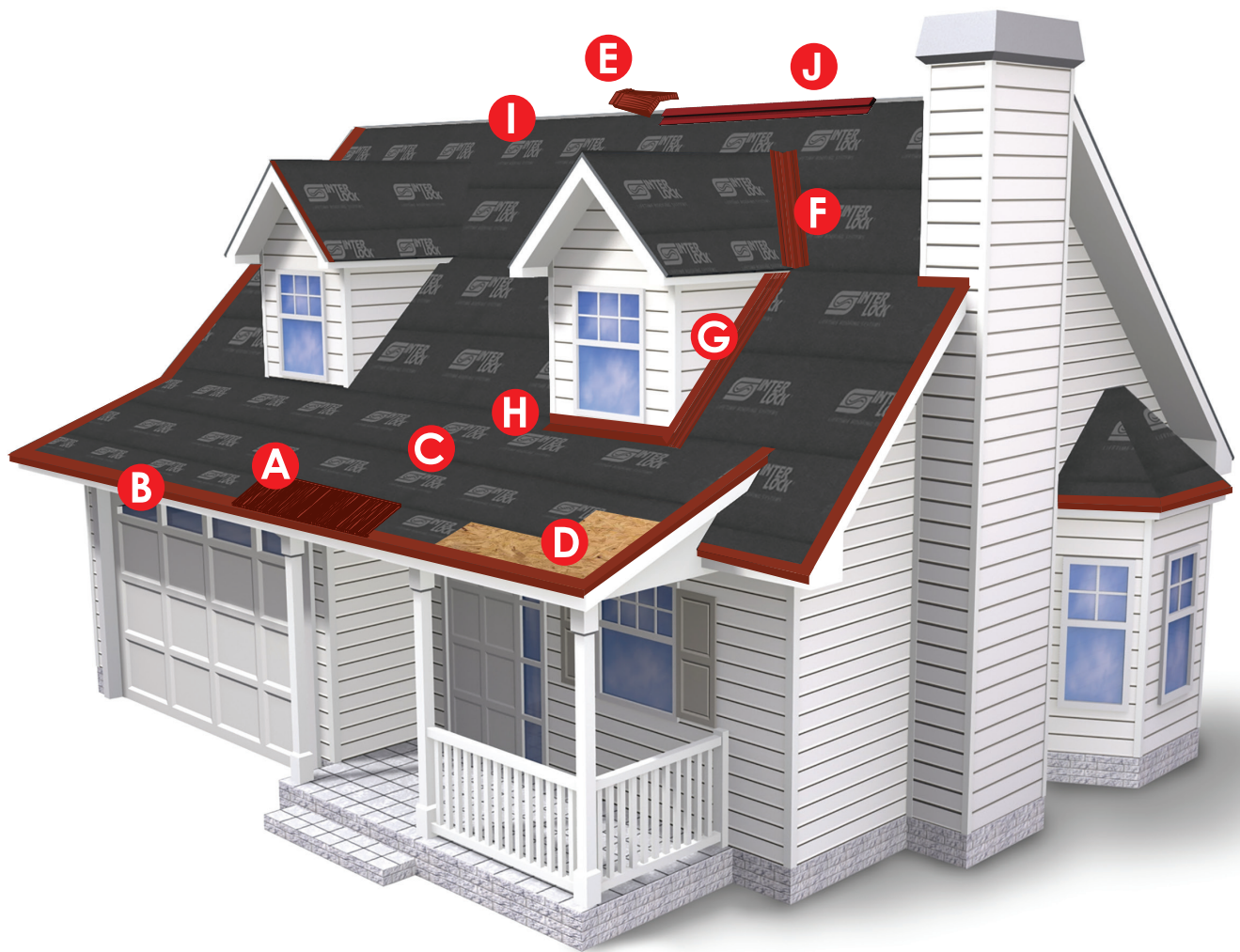
Endwall

Provides weather-tight seal around chimneys, etc.
Manufactured in 10' lengths.



Ridge Cap





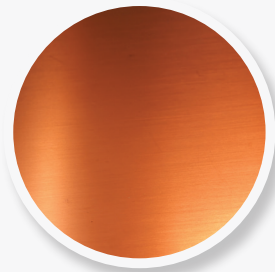
- A Interlock Shake
- B Starter Gable
- C Underlayment
- D Sheathing
- E Ridge Cap
- F Valley Trim
- G Side Wall
- H End Wall
- I Ridge Vent
- J J-Channel

Testing Reports

ICC Evaluation Report 1790
 Florida Report FL 7263
 Texas Department of Insurance
 - Hail Impact UL2218 Class IV

Color Guide

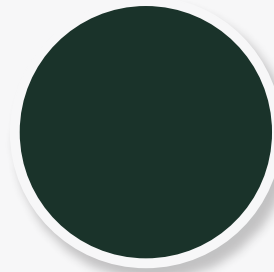
Interlock Roofing Ltd. offers a highly durable aluminum roofing product available in a range of different colors, opening up an extensive palette for homeowners and designers. Interlock® roofs are exclusively protected for a lifetime by the Alunar® Coating System.



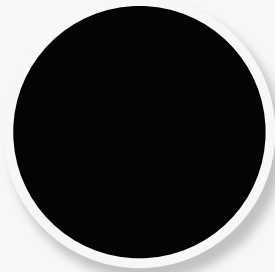
Solid Copper



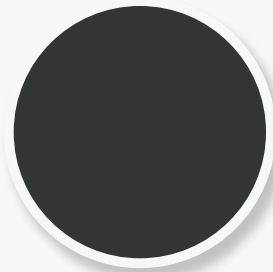
Copper Penny



Hunter Green



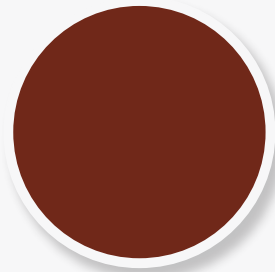
Black



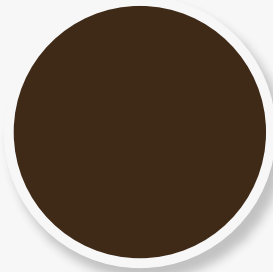
Deep Charcoal



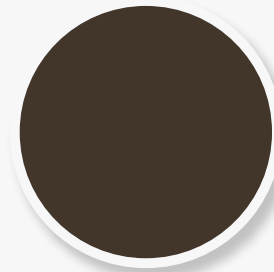
Musket Grey



Tile Red



Colonial Brown



Tudor Brown



Color and availability may change without notice. Product design and installation technique may vary from represented shown on manual. Installation methods may vary by structure, region, climate, and local building codes. Certain variables and factors specific to your home may inhibit the product's ability to shed snow. Roofing products and components may change without notice. Please see our website for more information.